

PARTS LIST

[MX-DVA5]

* All printed circuit boards and its assemblies are not available as service parts.

Area suffix

J ----- U.S.A.
C ----- Canada

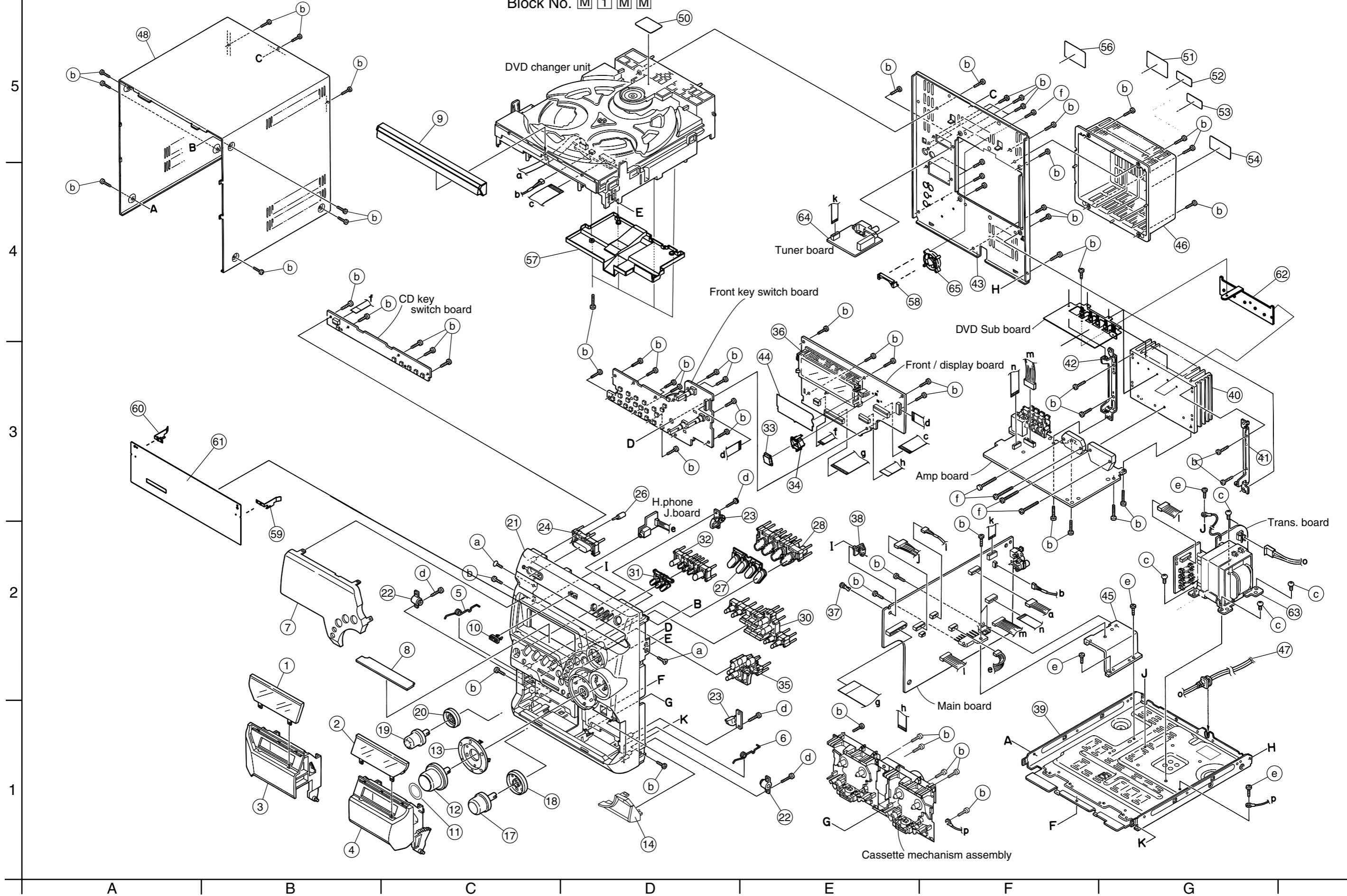
- Contents -

Exploded view of general assembly and parts list (Block No.M1)	3- 3
DVD changer mechanism assembly and parts list (Block No.MK)	3- 5
Cassette mechanism assembly and parts list (Block No.MP)	3- 7
Electrical parts list (Block No.01~05)	3- 8
Packing materials and accessories parts list (Block No.M3,M5)	3-24

< MEMO >

Exploded view of general assembly and parts list

Block No. **M 1 M M**



■ Parts list (General assembly)

Block No. M1MM

△	Item	Parts number	Parts name	Q'ty	Description	Area
	1	AH64-01141A	WINDOW	1	DOOR A	
	2	AH64-01142A	WINDOW	1	DOOR B	
	3	AH64-01128E	DOOR	1	CASS A	
	4	AH64-01129E	DOOR	1	CASS B	
	5	AH61-00552A	SPRING	1	DOOR A	
	6	AH61-00553A	SPRING	1	DOOR B	
	7	AH64-01140M	WINDOW	1	VFD	
	8	AH63-00252A	SHEET	1	VFD	
	9	AH64-01127C	DOOR	1	CD TRAY	
	10	AH64-00462B	JVC BADGE	1		
	11	AH63-00253A	SHEET	1	VOLUME	
	12	AH64-01135B	KNOB	1	VOLUME	
	13	AH61-00659D	CAP	1	VOLUME	
	14	AH61-00658B	CAP	1	DUMMY	
	17	AH64-01134B	KNOB	1	SUBWOOFER	
	18	AH67-00105A	LENS	1	SUBWOOFER	
	19	AH64-01133B	KNOB	1	SOUND MODE	
	20	AH67-00104A	LENS	1	SOUND MODE	
	21	AH64-01123K	CABINET	1	FRONT	
	22	AH61-80030A	DAMPER-ASSY	2		
	23	AH95-50001A	ASSY-LATCH	2		
	24	AH64-01130B	KNOB	1	POWER	
	26	AH67-00106A	LENS	1	POWER	
	27	AH67-00103C	LENS	1	FUNCTION	
	28	AH61-00661A	HOLDER	1	FUNCTION	
	30	AH64-01138B	KNOB	1	MAIN	
	31	AH67-00102C	LENS	1	CD	
	32	AH64-01132B	KNOB	1	DISC	
	33	AH67-00107B	LENS	1	DVD	
	34	AH61-00660A	HOLDER	1	DVD	
	35	AH64-01137B	KNOB	1	STOP	
	36	AH61-00662A	HOLDER	1	VFD	
	37	AH61-40014A	SUPPORT-RIVET	1		
	38	AH61-00021B	SUPPORT-PCB	1		
	39	AH64-30416C	CABINET	1	BOTTOM	
	40	AH62-00043C	HEAT-SINK	1		
	41	AH61-00655A	BRKT	1	H/SINK L	
	42	AH61-00656A	BRKT	1	H/SINK R	
	43	AH64-01125L	CABINET	1	REAR	
	44	AH63-00254A	FILTER	1	VFD	
	45	AH62-00042A	HEAT-SINK	1	4959	
	46	AH63-00250A	COVER	1	REAR	
△	47	AH39-00258H	POWER-CORD	1		
	48	AH64-30390F	CABINET	1	TOP	
	50	AH68-50275D	STICKER-CD	1		
	51	AH68-00331C	LABEL-FCC	1		
	52	AH68-00331D	LABEL-HHS	1		J
	53	AH68-00093E	LABEL-NO	1		

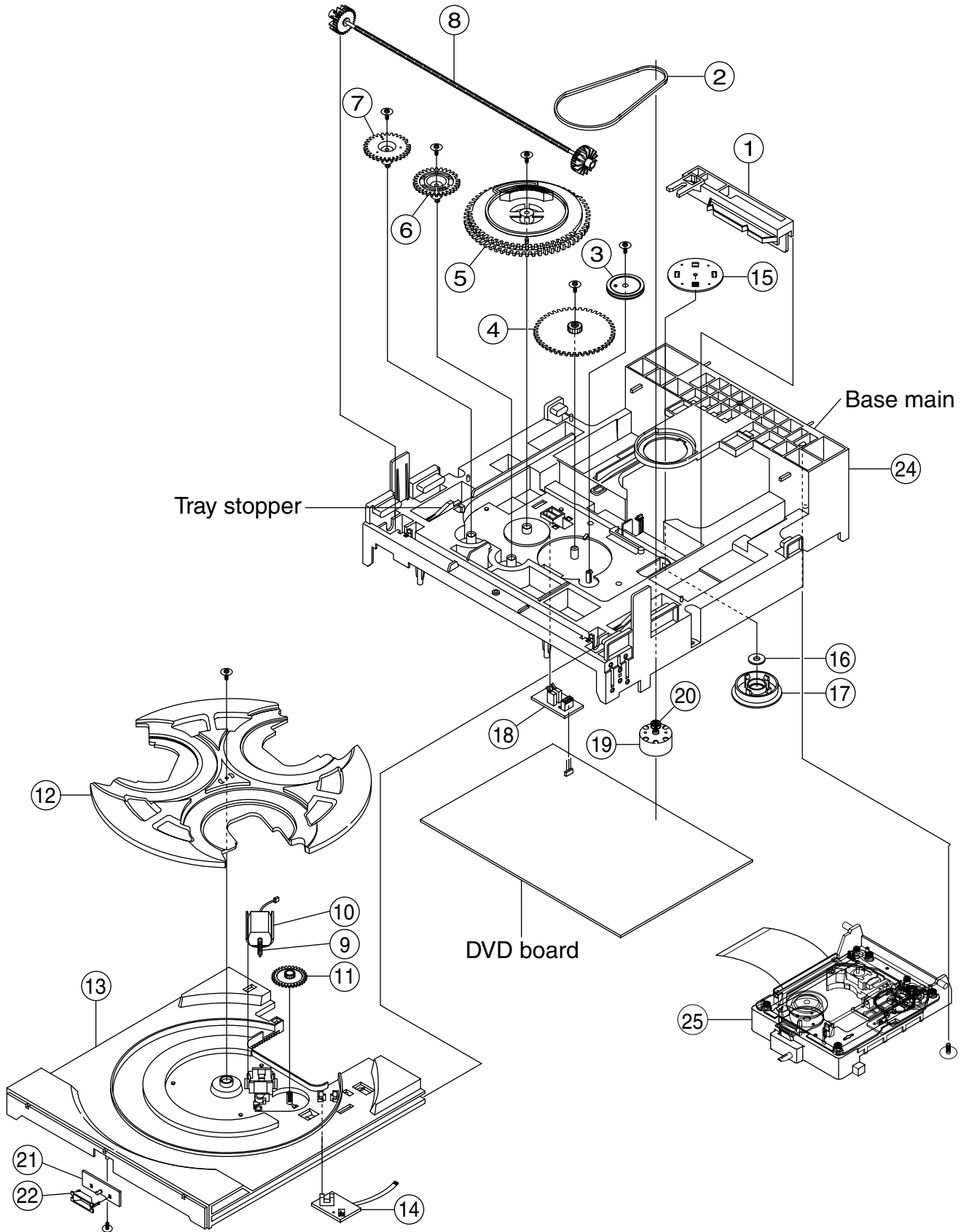
■ Parts list (General assembly)

Block No. M1MM

△	Item	Parts number	Parts name	Q'ty	Description	Area
	54	AH68-50482B	LABEL-CLASS 1	1		
	56	AH68-00848A	LABEL-RATING	1		J
		AH68-00848B	LABEL-RATING	1		C
	57	AH63-00373A	COVER	1	DVD MECHA	
	58	AH61-00793A	HOLDER	1	FAN	
	59	AH61-00895A	BRKT-SHIELD	1	L	
	60	AH61-00895B	BRKT-SHIELD	1	R	
	61	AH63-00363A	SHIELD-FRONT	1	FRONT	
	62	AH62-00049A	HEAT-SINK,SUB	1		
△	63	AH26-00115A	POWER TRANS	1		
	64	AH40-00011A	TUNER BLOCK	1	KST-MB011MS	
	65	3101-001105	FAN	1		
	A	6002-000126	SCREW	2	FH M3*10 BLK	
	B	6003-000276	SCREW	78	BH M3*10 YEL	
	C	AH60-10107A	SCREW	4	M4*6 YEL	
	D	6003-000277	SCREW	4	BH M3*12 YEL	
	E	6002-000398	SCREW	3	BH M3*6 YEL	
	F	6003-001230	SCREW	6	BH,M3*16,YEL	

DVD changer mechanism assembly and parts list

Block No. M K M M



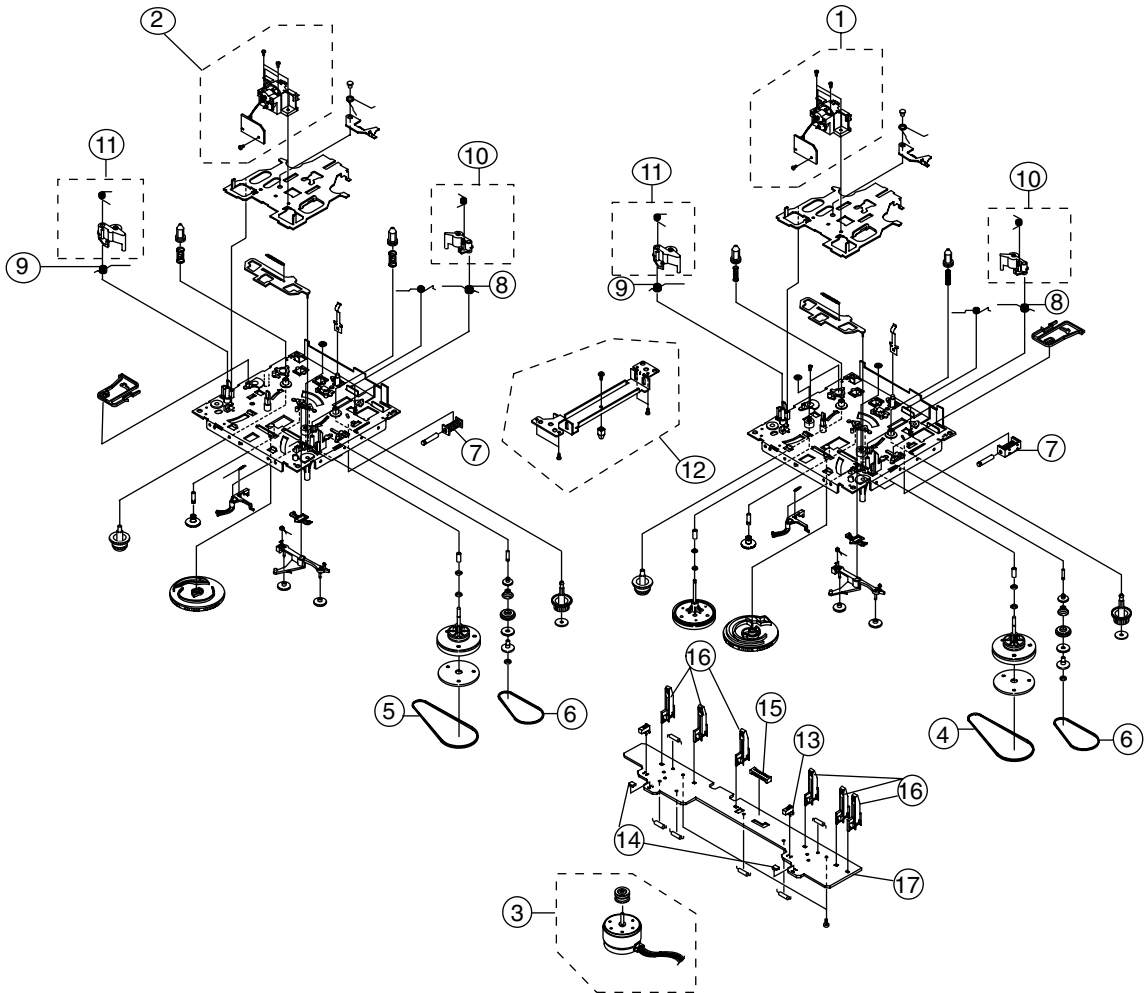
Parts list (DVD changer mechanism)

Block No. MKMM

△	Item	Parts number	Parts name	Q'ty	Description	Area
	1	AH66-80022A	SLIDE-CAM	1		
	2	AH66-60034A	BELT-LOAD	1		
	3	AH66-20186A	GEAR-PULLY	1		
	4	AH66-20187A	GEAR-LOAD	1		
	5	AH66-20188B	GEAR-CAM	1		
	6	AH66-20189B	GEAR-TRAY	1		
	7	AH66-20190B	GEAR-CONVERT	1		
	8	AH66-20191A	GEAR-SYNCHRO	1		
	9	AH66-20192A	GEAR-WORM	1		
	10	AH31-12001A	MOTOR-LOADING	1		
	11	AH66-20193A	GEAR-ROULLETTE	1		
	12	AH63-00324A	TRAY-ROULLETTE	1		
	13	AH63-00325A	TRAY-DISC	1		
	14	AH41-10456A	PCB-SENSOR	1		
	15	AH66-00164B	CLAMPER-UPPER	1		
	16	AH61-00747A	BRKT-CHUCK	1		
	17	AH66-00165A	CLAMPER-LOWER	1		
	18	AH41-10455A	PCB-SW	1		
	19	AH31-10021A	MOTOR-DC	1		
	20	AH66-10008A	PULLY-MOTOR	1		
	21	AH41-00063A	PCB LED	1		
	22	AH61-00390A	HOLDER-DVD	1		
	24	AH61-00837A	BASE-MAIN	1		
	25	AH59-00139A	DVD DECK	1		

Cassette mechanism assembly and parts list

Block No. M P M M



Note: Parts listed on the Parts List below can be supplied. However, parts that are not listed below cannot be supplied individually but only by purchasing the whole Cassette Mechanism Assembly Unit. (When ordering, use the Parts No. AH59-00104A for Cassette Mechanism Assembly Unit.)

Parts list(Cassette mechanism)

Block No. M3MM

Item	Parts number	Parts name	Q'ty	Description	Area
1	AH81-00368A	RP HEAD	1	MT91-11010T	
2	AH81-00369A	PB HEAD	1	MT59-00044A	
3	AH81-00450A	MOTOR ASS'Y	1	MT91-15014A	
4	AH81-00364A	MAIN BELT 1	1	6602-001056	
5	AH81-00370A	MAIN BELT 2	1	6602-001010	
6	AH81-00101A	SUB BELT	1	6602-001055	
7	AH81-00102A	SOLENOID	1	MT75-000494A	
8	AH81-00282A	SPRING(F)	1	6107-000177	
9	AH81-00451A	SPRING(R)	1	6107-000395	
10	AH81-00366A	PINCH ASS'Y(F)	1	MT92-01010K	
11	AH81-00452A	PINCH ASS'Y(R)	1	MT75-01010J	
12	AH81-00367A	MOTOR BRAKET	1	MT70-00494A	
13	AH81-00286A	SWITCH	1	3404-000306	
14	AH81-00287A	PHOTO SENSOR	1	0604-000199	
15	AH81-00288A	CONNECTOR	1	3708-001377	
16	AH81-00289A	L/FSWITCH	1	3409-000185	
17	AH81-00375A	PCB	1	MT41-00162A	

■ Electrical parts list (Main board)

Block No. 01

△	Item	Parts number	Parts name	Remarks	Area	△	Item	Parts number	Parts name	Remarks	Area
	AUX	3722-000379	E CAPACITOR				FR 21	2001-000864	CARBON RESISTOR		
	CRFS2	3602-000147	FUCE CLIP	Q'TY 2			FR 22	2001-000864	CARBON RESISTOR		
	CRFS5	3602-000147	FUCE CLIP	QTY 2			FR 23	2001-000773	CARBON RESISTOR		
	CRFS6	3602-000147	FUCE CLIP	QTY 2			FR 24	2001-000290	CARBON RESISTOR		
	CRFS7	3602-000147	FUCE CLIP	QTY 2			FR 25	2001-000429	CARBON RESISTOR		
	CRFS8	3602-000147	FUCE CLIP	QTY 2			FR 26	2001-000850	CARBON RESISTOR		
	FC 9	2401-000419	E CAPACITOR				FR 28	2001-000645	CARBON RESISTOR		
	FC 11	2401-001975	E CAPACITOR				FR 51	2001-000515	CARBON RESISTOR		
	FC 15	2301-000361	M.CAPACITOR				FR 52	2001-000786	CARBON RESISTOR		
	FC 16	2301-000375	M CAPACITOR				FR 53	2001-000515	CARBON RESISTOR		
	FC 17	2401-001954	C CAPACITOR				FR 54	2001-000786	CARBON RESISTOR		
	FC 23	2401-000419	E CAPACITOR				FR 55	2001-000890	CARBON RESISTOR		
	FC 31	2401-000759	E.CAPACITOR				FR 56	2001-000411	CARBON RESISTOR		
	FC 32	2401-001954	C CAPACITOR				FR 57	2001-000273	CARBON RESISTOR		
	FC 51	2202-000806	M.CAPACITOR				FR 58	2001-000273	CARBON RESISTOR		
	FC 52	2202-000806	M.CAPACITOR				FR 59	2001-000411	CARBON RESISTOR		
	FC 53	2401-001912	C CAPACITOR				FR 81	2001-000786	CARBON RESISTOR		
	FC 54	2401-001912	C CAPACITOR				FR 82	2001-000591	CARBON RESISTOR		
	FC 57	2401-001975	E CAPACITOR				FR1L	2001-000411	CARBON RESISTOR		
	FCW 1	3708-000122	CONNECTOR				FR1R	2001-000411	CARBON RESISTOR		
	FCW 2	3708-001094	CONNECTOR				FR2L	2001-000411	CARBON RESISTOR		
	FCW 3	3708-001577	CONNECTOR				FR2R	2001-000411	CARBON RESISTOR		
	FC1L	2201-000368	C CAPACITOR				FR251	2001-000591	CARBON RESISTOR		
	FC1R	2201-000368	C CAPACITOR				FR252	2001-000786	CARBON RESISTOR		
	FC10L	2301-000216	M CAPACITOR				FR27L	2001-000786	CARBON RESISTOR		
	FC10R	2301-000216	M CAPACITOR				FR29L	2001-000429	CARBON RESISTOR		
	FC2L	2401-001912	C CAPACITOR				FR29R	2001-000429	CARBON RESISTOR		
	FC2R	2401-001912	C CAPACITOR				FR30L	2001-000429	CARBON RESISTOR		
	FC251	2401-001912	C CAPACITOR				FR30R	2001-000429	CARBON RESISTOR		
	FC252	2401-001912	C CAPACITOR				FR31L	2001-000522	CARBON RESISTOR		
	FC253	2401-001912	C CAPACITOR				FR31R	2001-000522	CARBON RESISTOR		
	FC3L	2401-001912	C CAPACITOR				FR32L	2001-000290	CARBON RESISTOR		
	FC3R	2401-001912	C CAPACITOR				FR32R	2001-000290	CARBON RESISTOR		
	FC4L	2401-001912	C CAPACITOR				FR33L	2001-000429	CARBON RESISTOR		
	FC4R	2401-001912	C CAPACITOR				FR33R	2001-000429	CARBON RESISTOR		
	FC5L	2401-001912	C CAPACITOR				FR34L	2001-000890	CARBON RESISTOR		
	FC5R	2401-001912	C CAPACITOR				FR34R	2001-000890	CARBON RESISTOR		
	FC56L	2401-001912	C CAPACITOR				FR4L	2001-000780	CARBON RESISTOR		
	FC56R	2401-001912	C CAPACITOR				FR4R	2001-000780	CARBON RESISTOR		
	FC57L	2201-000368	C CAPACITOR				FR5L	2001-000864	CARBON RESISTOR		
	FC57R	2201-000368	C CAPACITOR				FR5R	2001-000864	CARBON RESISTOR		
	FC6L	2401-002180	C CAPACITOR				FR501	2001-000003	CARBON RESISTOR		
	FC6R	2401-002180	C CAPACITOR				FR502	2001-000003	CARBON RESISTOR		
	FC7L	2401-001912	C CAPACITOR				FR6L	2001-000331	CARBON RESISTOR		
	FC7R	2401-001912	C CAPACITOR				FR6R	2001-000331	CARBON RESISTOR		
	FC8L	2301-000454	M.CAPACITOR				FR8L	2001-000802	CARBON RESISTOR		
	FC8R	2301-000454	M.CAPACITOR				FR8R	2001-000802	CARBON RESISTOR		
	FC9L	2301-000216	M CAPACITOR				FZD 1	0403-000372	DIODE-ZENER		
	FC9R	2301-000216	M CAPACITOR				HC 1	2401-000795	E CAPACITOR		
	FD 2	0401-000101	DIODE				HC 2	2401-000795	E CAPACITOR		
	FD 3	0401-000101	DIODE				HCW 2	AH39-00247A	LEAD CONNECTOR		
	FIC 1	1204-001776	IC				HCW 3	3711-001062	CONNECTOR		
	FIC 4	1201-000163	IC				HC1L	2401-001912	C CAPACITOR		
	FIC 5	1201-000163	IC				HC1R	2401-001912	C CAPACITOR		
	FQ 4	0501-000398	TRANSISTOR				HC2L	2401-001465	E.CAPACITOR		
	FQ 12	0504-001003	DEGI TRANSISTOR	KSR2003TA			HC2R	2401-001465	E.CAPACITOR		
	FQ11L	0504-000122	DEGI TRANSISTOR	KSR1009TA			HC3L	2201-000642	C.CAPACITOR		
	FQ11R	0504-000122	DEGI TRANSISTOR	KSR1009TA			HC3R	2201-000642	C.CAPACITOR		
	FQ151	0504-001003	DEGI TRANSISTOR	KSR2003TA			HD 1	0401-000101	DIODE		
	FQ152	0504-000118	DEGI TRANSISTOR				HIC 1	1101-000163	IC		
	FR 9	2001-000027	CARBON RESISTOR				HJK 1	3722-000351	PHONE JACK		
	FR 18	2001-000515	CARBON RESISTOR				HQ1L	0501-000407	TRANSISTOR	KSD471-YTA	
	FR 20	2001-000515	CARBON RESISTOR				HQ1R	0501-000407	TRANSISTOR	KSD471-YTA	

■ Electrical parts list (Main board)

Block No. 01

△	Item	Parts number	Parts name	Remarks	Area	△	Item	Parts number	Parts name	Remarks	Area
	HR 1	2001-000028	CARBON RESISTOR			JC8L	2301-000412	C CAPACITOR			
	HR 2	2001-000028	CARBON RESISTOR			JC8R	2301-000412	C CAPACITOR			
	HR 10	2001-000411	CARBON RESISTOR			JC91R	2301-000462	M.CAPACITOR			
	HR1L	2001-000449	CABON RESISTOR			JD 1	0401-000101	DIODE			
	HR1R	2001-000449	CABON RESISTOR			JD 2	0401-000101	DIODE			
	HR2L	2001-000449	CABON RESISTOR			JD 3	0401-000101	DIODE			
	HR2R	2001-000591	CARBON RESISTOR			JIC 1	1201-000358	IC			
	HR3L	2001-000734	CARBON RESISTOR			JIC 2	1201-000163	IC			
	HR3R	2001-000734	CARBON RESISTOR			JL 1	2701-000298	INDUCTOR	AX470UH 04		
	HR4L	2001-000290	CARBON RESISTOR			JL1L	AH27-10001D	CHOKE COIL			
	HR4R	2001-000290	CARBON RESISTOR			JL1R	AH27-10001D	CHOKE COIL			
	HR5L	2001-000019	CARBON RESISTOR			JPF1L	AH26-10002W	TRAP COIL	BIAS-TRAP105K		
	HR5R	2001-000019	CARBON RESISTOR			JPF1R	AH26-10002W	TRAP COIL	BIAS-TRAP105K		
	JC 7	2401-000419	E CAPACITOR			JQ 6	0504-001003	DEGI TRANSISTOR	KSR2003TA		
	JC 9	2401-000240	C CAPACITOR			JQ 8	0504-001003	DEGI TRANSISTOR	KSR2003TA		
	JC 10	2401-001954	C CAPACITOR			JQ 10	0501-000398	TRANSISTOR			
	JC 11	2401-000795	E CAPACITOR			JQ 14	0501-000610	TRANSISTOR			
	JC 26	2301-000404	M.CAPACITOR			JQ 15	0501-000369	TRANSISTOR	KSC2331-Y-TA		
	JC 27	2301-000404	M.CAPACITOR			JQ 16	0501-000398	TRANSISTOR			
	JC 28	2401-001975	E CAPACITOR			JQ 51	0504-001003	DEGI TRANSISTOR	KSR2003TA		
	JC 29	2301-000407	M.CAPACITOR			JQ11L	0501-000407	TRANSISTOR	KSD471-YTA		
	JC 31	2401-002180	C CAPACITOR			JQ11R	0501-000407	TRANSISTOR	KSD471-YTA		
	JC 35	2201-000601	C.CAPACITOR			JQ2L	0501-000010	TRANSISTOR			
	JC 37	2201-000601	C.CAPACITOR			JQ2R	0501-000010	TRANSISTOR			
	JC 51	2401-001938	E CAPACITOR			JQ3L	0501-000010	TRANSISTOR			
	JCW 1	3711-003107	CONNECTOR			JQ3R	0501-000010	TRANSISTOR			
	JCW 2	3711-003111	CONNECTOR			JQ4L	0501-000398	TRANSISTOR			
	JCW 3	3711-003107	CONNECTOR			JQ4R	0501-000398	TRANSISTOR			
	JC1L	2301-000370	M.CAPACITOR			JQ5L	0501-000407	TRANSISTOR	KSD471-YTA		
	JC1R	2301-000370	M.CAPACITOR			JQ5R	0501-000407	TRANSISTOR	KSD471-YTA		
	JC10L	2201-000368	C CAPACITOR			JR 4	2001-000522	CARBON RESISTOR			
	JC10R	2201-000368	C CAPACITOR			JR 13	2001-000773	CARBON RESISTOR			
	JC13L	2401-002180	C CAPACITOR			JR 14	2001-000802	CARBON RESISTOR			
	JC13R	2401-002180	C CAPACITOR			JR 15	2001-000708	CARBON RESISTOR			
	JC14L	2401-001465	E.CAPACITOR			JR 21	2001-000027	CARBON RESISTOR			
	JC14R	2401-001465	E.CAPACITOR			JR 22	2001-000660	CARBON RESISTOR			
	JC15L	2401-002180	C CAPACITOR			JR 23	2001-000591	CARBON RESISTOR			
	JC15R	2401-002180	C CAPACITOR			JR 25	2001-000429	CABON RESISTOR			
	JC151	2401-001912	C CAPACITOR			JR 26	2001-000734	CARBON RESISTOR			
	JC152	2401-001912	C CAPACITOR			JR 27	2001-000708	CARBON RESISTOR			
	JC16L	2201-000368	C CAPACITOR			JR 29	2001-000786	CARBON RESISTOR			
	JC16R	2201-000368	C CAPACITOR			JR 30	2001-000591	CARBON RESISTOR			
	JC162	2401-000419	E CAPACITOR			JR 31	2001-000734	CARBON RESISTOR			
	JC17L	2301-000412	C CAPACITOR			JR 32	2001-000456	CARBON RESISTOR			
	JC17R	2301-000412	C CAPACITOR			JR 33	2001-000290	CARBON RESISTOR			
	JC19L	2301-000462	M.CAPACITOR			JR 38	2001-000890	CARBON RESISTOR			
	JC20L	2401-000419	E CAPACITOR			JR 39	2001-000290	CARBON RESISTOR			
	JC21L	2401-000419	E CAPACITOR			JR 40	2001-000290	CARBON RESISTOR			
	JC21R	2401-000419	E CAPACITOR			JR 43	2001-000591	CARBON RESISTOR			
	JC22L	2301-000407	M.CAPACITOR			JR 44	2001-000522	CARBON RESISTOR			
	JC22R	2301-000407	M.CAPACITOR			JR 45	2001-000522	CARBON RESISTOR			
	JC23L	2201-000674	C.CAPACITOR			JR 46	2001-000591	CARBON RESISTOR			
	JC23R	2201-000674	C.CAPACITOR			JR 51	2001-000660	CARBON RESISTOR			
	JC24L	2301-000370	M.CAPACITOR			JR 52	2001-000591	CARBON RESISTOR			
	JC24R	2301-000370	M.CAPACITOR			JR 53	2001-000319	CARBON RESISTOR			
	JC3L	2401-001465	E.CAPACITOR			JR 61	2001-000734	CARBON RESISTOR			
	JC3R	2401-001465	E.CAPACITOR			JR1L	2001-000890	CARBON RESISTOR			
	JC30L	2201-000368	C CAPACITOR			JR1R	2001-000890	CARBON RESISTOR			
	JC30R	2201-000368	C CAPACITOR			JR10L	2001-000449	CABON RESISTOR			
	JC4L	2301-000412	C CAPACITOR			JR10R	2001-000449	CABON RESISTOR			
	JC4R	2301-000412	C CAPACITOR			JR11L	2001-000802	CARBON RESISTOR			
	JC5L	2401-001954	C CAPACITOR			JR11R	2001-000802	CARBON RESISTOR			
	JC5R	2401-001954	C CAPACITOR			JR12L	2001-000734	CARBON RESISTOR			

■ Electrical parts list (Main board)

Block No. 01

△	Item	Parts number	Parts name	Remarks	Area	△	Item	Parts number	Parts name	Remarks	Area
	JR12R	2001-000734	CARBON RESISTOR				RC 13	2401-000230	C CAPACITOR		
	JR16L	2001-000613	CARBON RESISTOR				RC 14	2401-000795	E CAPACITOR		
	JR16R	2001-000613	CARBON RESISTOR				RC 19	2401-001895	E CAPACITOR		
	JR17L	2001-000003	CARBON RESISTOR				RC 20	2401-001895	E CAPACITOR		
	JR17R	2001-000003	CARBON RESISTOR				RC 37	2401-000438	E CAPACITOR		
	JR18L	2001-000734	CARBON RESISTOR			△	RC 81	2201-000161	C.CAPACITOR		
	JR18R	2001-000734	CARBON RESISTOR				RCW 2	3711-000190	CONNECTOR		
	JR19L	2001-000522	CARBON RESISTOR				RCW 6	AH39-00096B	LEAD CONNECTOR		
	JR19R	2001-000522	CARBON RESISTOR				RD 1	0402-000127	DIODE		
	JR2L	2001-000890	CARBON RESISTOR				RD 2	0402-000127	DIODE		
	JR2R	2001-000890	CARBON RESISTOR				RD 3	0402-000127	DIODE		
	JR20L	2001-000977	CARBON RESISTOR				RD 5	0402-000127	DIODE		
	JR20R	2001-000977	CARBON RESISTOR				RD 7	0401-000101	DIODE		
	JR24L	2001-000613	CARBON RESISTOR				RD 8	0402-000151	DIODE		
	JR24R	2001-000613	CARBON RESISTOR				RD 9	0402-000127	DIODE		
	JR251	2001-000008	CARBON RESISTOR				RD 10	0402-000127	DIODE		
	JR252	2001-000449	CABON RESISTOR				RD 30	0402-000151	DIODE		
	JR253	2001-000449	CABON RESISTOR				RD 31	0402-000151	DIODE		
	JR254	2001-000008	CARBON RESISTOR				RD 32	0402-000151	DIODE		
	JR28L	2001-000734	CARBON RESISTOR			△	RF 23	2008-000135	FUSIBLE RESISTO		
	JR28R	2001-000734	CARBON RESISTOR			△	RFS 2	3601-001248	FUSE		
	JR3L	2001-000591	CARBON RESISTOR			△	RFS 5	3601-001245	FUSE		
	JR3R	2001-000591	CARBON RESISTOR			△	RFS 6	3601-001245	FUSE		
	JR37L	2001-000786	CARBON RESISTOR			△	RFS 7	3601-001245	FUSE		
	JR37R	2001-000786	CARBON RESISTOR			△	RFS 8	3601-001245	FUSE		
	JR40L	2001-000302	CARBON RESISTOR				RIC 1	1203-001653	IC		
	JR40R	2001-000302	CARBON RESISTOR				RJW 1	AH39-50001H	LEAD-FASTEN		
	JR41L	2001-000008	CARBON RESISTOR				RL 1	2701-000298	INDUCTOR	AX470UH 04	
	JR41R	2001-000008	CARBON RESISTOR				RQ 1	0501-000610	TRANSISTOR		
	JR42L	2001-000429	CABON RESISTOR				RQ 3	0501-000398	TRANSISTOR		
	JR42R	2001-000429	CABON RESISTOR				RQ 4	0501-000294	TRANSISTOR		
	JR5L	2001-000449	CABON RESISTOR				RR 1	2003-000701	OMF RESISTOR		
	JR5R	2001-000449	CABON RESISTOR				RR 3	2001-000023	CARBON RESISTOR		
	JR6L	2001-000449	CABON RESISTOR				RR 4	2001-000023	CARBON RESISTOR		
	JR6R	2001-000449	CABON RESISTOR				RR 5	2001-000613	CARBON RESISTOR		
	JR7L	2001-000890	CARBON RESISTOR				RR 6	2001-000734	CARBON RESISTOR		
	JR7R	2001-000890	CARBON RESISTOR				RR 7	2001-000429	CABON RESISTOR		
	JR9L	2001-000281	CARBON RESISTOR				RR 8	2003-000455	OMF RESISTOR		
	JR9R	2001-000281	CARBON RESISTOR				RR 9	2001-000563	CARBON RESISTOR		
	JSR1L	2103-000492	ROTA V RESISTOR				RR 10	2001-000055	CARBON RESISTOR		
	JSR1R	2001-000591	CARBON RESISTOR				RR 11	2001-000591	CARBON RESISTOR		
	JSR2L	2103-000248	VR-SEMI				RR 12	2001-000734	CARBON RESISTOR		
	JSR2R	2103-000248	VR-SEMI				RR 13	2001-000111	CARBON RESISTOR		
	OC 1	2202-000807	M.CAPACITOR				RR 15	2001-000734	CARBON RESISTOR		
	OC 2	2201-000483	C.CAPACITOR				RR 16	2001-000038	CARBON RESISTOR		
	OC 3	2401-000240	C CAPACITOR				RR 17	2001-000429	CABON RESISTOR		
	OCW	AH39-00096B	LEAD CONNECTOR				RR 18	2001-001095	C RESISTOR		
	OIC 1	AH14-10004R	IC				RR 20	2001-000786	CARBON RESISTOR		
	OJACK	0603-001069	OPTIC JACK				RR 51	2001-000890	CARBON RESISTOR		
	OJCK1	3722-000379	E CAPACITOR				RW 1	AH39-00245A	LEAD CONNECTOR		
	OLPF	2901-001139	EMI FILTER				RW 2	AH39-00244A	LEAD CONNECTOR		
	PCW 1	3711-003112	CONNECTOR	5267-08P 2.5MM			RZD 1	0403-000379	DIODE-ZENER		
△	RBD 1	0402-000450	BRIDGE DIODE				RZD 2	0403-000570	DIODE-ZENER		
△	RBD 2	0402-001258	BRIDGE DIODE				RZD 3	0403-000570	DIODE-ZENER		
△	RC 1	2401-001928	E CAPACITOR				RZD 4	0403-000354	DIODE-ZENER		
△	RC 2	2401-001928	E CAPACITOR				RZD 5	0403-001010	DIODE-ZENER		
△	RC 3	2401-003381	E CAPACITOR				TC101	2201-000783	C CAPACITOR		
△	RC 4	2401-003381	E CAPACITOR				TC102	2201-000783	C CAPACITOR		
	RC 5	2401-001954	C CAPACITOR				UD 13	0401-000101	DIODE		
	RC 6	2401-000907	E CAPACITOR				VC 4	2401-001364	E.CAPACITOR		
	RC 7	2401-001912	C CAPACITOR				VC 5	2201-000783	C CAPACITOR		
	RC 8	2401-001954	C CAPACITOR				VCW 1	AH39-00096C	CONNECTOR-WIRE		
△	RC 11	2201-000161	C.CAPACITOR				VJCK2	AH37-00005A	RCA JACK	S-440B YELLOW	

■ Electrical parts list (Main board)

Block No. 01

△	Item	Parts number	Parts name	Remarks	Area
	VJCK3	3722-001502	DIN JACK		
	VR 1	2001-000273	CARBON RESISTOR		
	VR 2	2001-000273	CARBON RESISTOR		
	VR 3	2001-001035	CARBON RESISTOR		
	VR 4	2001-001035	CARBON RESISTOR		

■ Electrical parts list (Front board)

Block No. 02

△	Item	Parts number	Parts name	Remarks	Area	△	Item	Parts number	Parts name	Remarks	Area
	R-EYE	AC59-60060A	REMOCON EYE				UQ 9	0504-000118	DEGI TRANSISTOR		
	UC 1	2401-000475	E CAPASOTOR				UQ 10	0501-000610	TRANSISTOR		
	UC 2	2201-000565	C CAPACITOR				UQ 11	0501-000610	TRANSISTOR		
	UC 3	2401-000475	E CAPASOTOR				UQ 12	0504-000117	DEGI TRANSISTOR	KSR1002TA/KRC10	
	UC 4	2201-000565	C CAPACITOR				UQ 13	0504-000117	DEGI TRANSISTOR	KSR1002TA/KRC10	
	UC 5	2401-001465	E.CAPACITOR				UQ 14	0504-000117	DEGI TRANSISTOR	KSR1002TA/KRC10	
	UC 6	2201-000423	C.CAPACITOR				UQ 15	0504-000117	DEGI TRANSISTOR	KSR1002TA/KRC10	
	UC 7	2201-000423	C.CAPACITOR				UQ 17	0504-000118	DEGI TRANSISTOR		
	UC 8	2201-000247	C.CAPACITOR				UQ 18	0501-000398	TRANSISTOR		
	UC 9	2201-000247	C.CAPACITOR				UQ 19	0504-001003	DEGI TRANSISTOR		
	UC 10	2401-000240	C CAPACITOR				UR 1	2001-000003	CARBON RESISTOR		
	UC 11	2401-000759	E.CAPACITOR				UR 2	2001-000995	CARBON RESISTOR		
	UC 12	2401-001355	E.CAPACITOR				UR 7	2001-000429	CABON RESISTOR		
	UC 17	2401-001954	C CAPACITOR				UR 8	2001-000221	CARBON RESISTOR		
	UC 20	2401-000778	E.CAPACITOR				UR 9	2001-000429	CABON RESISTOR		
	UC 21	2201-000163	C.CAPACITOR				UR 10	2001-000258	CARBON RESISTOR		
	UC 30	2201-000146	C CAPACITOR				UR 11	2001-000449	CARBON RESISTOR		
	UC 32	2401-001364	E.CAPACITOR				UR 93	2001-000995	CARBON RESISTOR		
	UC 33	2201-000163	C.CAPACITOR				UR 94	2001-000221	CARBON RESISTOR		
	UC 34	2201-000783	C CAPACITOR				UR 95	2001-000522	CARBON RESISTOR		
	UC 35	2201-000470	C.CAPACITOR				UR101	2001-000786	CARBON RESISTOR		
	UC 36	2201-000470	C.CAPACITOR				UR102	2001-000786	CARBON RESISTOR		
	UC 37	2201-000470	C.CAPACITOR				UR103	2001-000786	CARBON RESISTOR		
	UC 38	2201-000783	C CAPACITOR				UR104	2001-000734	CARBON RESISTOR		
	UC 40	2201-000565	C CAPACITOR				UR105	2001-000734	CARBON RESISTOR		
	UCW 1	3708-000492	CONNECTOR				UR106	2001-000734	CARBON RESISTOR		
	UCW 2	3708-000178	CONNECTOR				UR107	2001-000734	CARBON RESISTOR		
	UCW 3	3708-001212	CONNECTOR				UR108	2001-000734	CARBON RESISTOR		
	UCW 4	3708-000451	CONNECTOR				UR109	2001-000734	CARBON RESISTOR		
	UCW 5	3708-000492	CONNECTOR				UR110	2001-000995	CARBON RESISTOR		
	UCW 6	3708-001488	CONNECTOR				UR112	2001-000241	CARBON RESISTOR		
	UCW 7	3708-000181	CONNECTOR				UR114	2001-000258	CARBON RESISTOR		
	UD 1	0401-000101	DIODE				UR116	2001-000591	CARBON RESISTOR		
	UD 2	0401-000101	DIODE				UR117	2001-000449	CABON RESISTOR		
	UD 3	0401-000101	DIODE				UR118	2001-000890	CARBON RESISTOR		
	UD 4	0401-000101	DIODE				UR119	2001-000290	CARBON RESISTOR		
	UD 5	0401-000101	DIODE				UR120	2001-000890	CARBON RESISTOR		
	UD 6	0402-000127	DIODE				UR121	2001-000290	CARBON RESISTOR		
	UD 7	0401-000101	DIODE				UR122	2001-000522	CARBON RESISTOR		
	UD 8	0401-000101	DIODE				UR123	2001-000010	CARBON RESISTOR		
	UD 9	0401-000101	DIODE				UR124	2001-000734	CARBON RESISTOR		
	UD 10	0401-000101	DIODE				UR125	2001-000734	CARBON RESISTOR		
	UD 11	0401-000101	DIODE				UR126	2001-000591	CARBON RESISTOR		
	UD 12	0401-000101	DIODE				UR127	2001-000449	CABON RESISTOR		
	UD 13	0401-000101	DIODE				UR128	2001-000258	CARBON RESISTOR		
	UD 16	0402-000127	DIODE				UR129	2001-000241	CARBON RESISTOR		
	UD 17	0401-000101	DIODE				UR130	2001-000221	CARBON RESISTOR		
	UD 20	0401-000101	DIODE				UR131	2001-000429	CABON RESISTOR		
	UD 21	0401-000101	DIODE				UR132	2001-000295	CARBON RESISTOR		
	UD 22	0401-000101	DIODE				UR133	2001-000435	CARBON RESISTOR		
	UIC 1	AH11-00038A	IC	LC866548V 100P			UR134	2001-000793	CARBON RESISTOR		
	UIC 2	0904-001316	IC				UR135	2001-000591	CARBON RESISTOR		
	UIC 3	AH14-10004M	IC				UR136	2001-000508	CARBON RESISTOR		
	ULD 1	0601-001238	LED				UR137	2001-000734	CARBON RESISTOR		
	ULD13	0601-001490	LED				UR138	2001-000449	CABON RESISTOR		
	UQ 1	0504-000117	DEGI TRANSISTOR	KSR1002TA			UR139	2001-000429	CABON RESISTOR		
	UQ 2	0504-000117	DEGI TRANSISTOR	KSR1002TA			UR140	2001-000429	CABON RESISTOR		
	UQ 3	0504-000117	DEGI TRANSISTOR	KSR1002TA			UR141	2001-000429	CABON RESISTOR		
	UQ 4	0504-000117	DEGI TRANSISTOR	KSR1002TA			UR142	2001-000429	CABON RESISTOR		
	UQ 5	0504-000118	DEGI TRANSISTOR				UR143	2001-000281	CARBON RESISTOR		
	UQ 6	0501-000398	TRANSISTOR				UR144	2001-000281	CARBON RESISTOR		
	UQ 7	0504-000118	DEGI TRANSISTOR				UR145	2001-000281	CARBON RESISTOR		
	UQ 8	0501-000610	TRANSISTOR				UR146	2001-000290	CARBON RESISTOR		

■ Electrical parts list (Front board)

Block No. 02

△	Item	Parts number	Parts name	Remarks	Area	△	Item	Parts number	Parts name	Remarks	Area
	UR147	2001-000290	CARBON RESISTOR				UR213	2001-000786	CARBON RESISTOR		
	UR148	2001-000290	CARBON RESISTOR				UR214	2001-000786	CARBON RESISTOR		
	UR149	2001-000515	CARBON RESISTOR				UR220	2001-000734	CARBON RESISTOR		
	UR150	2001-000290	CARBON RESISTOR				UR221	2001-000734	CARBON RESISTOR		
	UR151	2001-000290	CARBON RESISTOR				UR222	2001-000734	CARBON RESISTOR		
	UR152	2001-000290	CARBON RESISTOR				UR223	2001-000734	CARBON RESISTOR		
	UR153	2001-000290	CARBON RESISTOR				UR224	2001-000734	CARBON RESISTOR		
	UR154	2001-000290	CARBON RESISTOR				UR225	2001-000734	CARBON RESISTOR		
	UR155	2001-000290	CARBON RESISTOR				UR226	2001-000734	CARBON RESISTOR		
	UR156	2001-000290	CARBON RESISTOR				UR227	2001-000734	CARBON RESISTOR		
	UR157	2001-000290	CARBON RESISTOR				UR228	2001-000734	CARBON RESISTOR		
	UR158	2001-000290	CARBON RESISTOR				UR229	2001-000734	CARBON RESISTOR		
	UR159	2001-000290	CARBON RESISTOR				UR230	2001-000786	CARBON RESISTOR		
	UR160	2001-000290	CARBON RESISTOR				UR231	2001-000786	CARBON RESISTOR		
	UR161	2001-000290	CARBON RESISTOR				UR232	2001-000786	CARBON RESISTOR		
	UR162	2001-000290	CARBON RESISTOR				UR233	2001-000786	CARBON RESISTOR		
	UR163	2001-000290	CARBON RESISTOR				UR234	2001-000786	CARBON RESISTOR		
	UR164	2001-000290	CARBON RESISTOR				UR235	2001-000786	CARBON RESISTOR		
	UR165	2001-000290	CARBON RESISTOR				UR236	2001-000786	CARBON RESISTOR		
	UR166	2001-000290	CARBON RESISTOR				UR237	2001-000281	CARBON RESISTOR		
	UR167	2001-000290	CARBON RESISTOR				UR238	2001-000281	CARBON RESISTOR		
	UR168	2001-000290	CARBON RESISTOR				UR239	2001-000281	CARBON RESISTOR		
	UR169	2001-000290	CARBON RESISTOR				UR240	2001-000786	CARBON RESISTOR		
	UR170	2001-000290	CARBON RESISTOR				UR241	2001-000786	CARBON RESISTOR		
	UR171	2001-000290	CARBON RESISTOR				UR242	2001-000281	CARBON RESISTOR		
	UR172	2001-000290	CARBON RESISTOR				UR243	2001-000290	CARBON RESISTOR		
	UR173	2001-000290	CARBON RESISTOR				UR244	2001-000290	CARBON RESISTOR		
	UR174	2001-000554	CARBON RESISTOR				UR245	2001-000290	CARBON RESISTOR		
	UR175	2001-001178	CARBON RESISTOR				UR246	2001-000290	CARBON RESISTOR		
	UR176	2001-001178	CARBON RESISTOR				UR247	2001-000290	CARBON RESISTOR		
	UR177	2001-001178	CARBON RESISTOR				UR248	2001-000281	CARBON RESISTOR		
	UR178	2001-000290	CARBON RESISTOR				UR249	2001-000281	CARBON RESISTOR		
	UR179	2001-000429	CARBON RESISTOR				UR250	2001-000281	CARBON RESISTOR		
	UR180	2001-000857	CARBON RESISTOR				UR251	2001-000281	CARBON RESISTOR		
	UR181	2001-000281	CARBON RESISTOR				UR260	2001-000786	CARBON RESISTOR		
	UR182	2001-000281	CARBON RESISTOR				USR 1	2103-000492	ROTA V RESISTOR		
	UR183	2001-000281	CARBON RESISTOR				USW 1	3404-000165	TACT SWITCH	SKHV10910A	
	UR184	2001-000281	CARBON RESISTOR				USW 3	3404-000165	TACT SWITCH	SKHV10910A	
	UR185	2001-000281	CARBON RESISTOR				USW 4	3404-000165	TACT SWITCH	SKHV10910A	
	UR186	2001-000281	CARBON RESISTOR				USW 5	3404-000165	TACT SWITCH	SKHV10910A	
	UR187	2001-000281	CARBON RESISTOR				USW 6	3404-000165	TACT SWITCH	SKHV10910A	
	UR188	2001-000281	CARBON RESISTOR				USW 7	3404-000165	TACT SWITCH	SKHV10910A	
	UR189	2001-000281	CARBON RESISTOR				USW 8	3404-000165	TACT SWITCH	SKHV10910A	
	UR190	2001-000281	CARBON RESISTOR				USW 9	3404-000165	TACT SWITCH	SKHV10910A	
	UR191	2001-000281	CARBON RESISTOR				USW10	3404-000165	TACT SWITCH	SKHV10910A	
	UR192	2001-000281	CARBON RESISTOR				USW11	3404-000165	TACT SWITCH	SKHV10910A	
	UR194	2001-000281	CARBON RESISTOR				USW12	3404-000165	TACT SWITCH	SKHV10910A	
	UR195	2001-000281	CARBON RESISTOR				USW13	3404-000165	TACT SWITCH	SKHV10910A	
	UR197	2001-000281	CARBON RESISTOR				USW14	3404-000165	TACT SWITCH	SKHV10910A	
	UR198	2001-000281	CARBON RESISTOR				USW15	3404-000165	TACT SWITCH	SKHV10910A	
	UR200	2001-000786	CARBON RESISTOR				USW16	3404-000165	TACT SWITCH	SKHV10910A	
	UR201	2001-000290	CARBON RESISTOR				USW17	3404-000165	TACT SWITCH	SKHV10910A	
	UR202	2001-000290	CARBON RESISTOR				USW18	3404-000165	TACT SWITCH	SKHV10910A	
	UR203	2001-000290	CARBON RESISTOR				USW19	3404-000165	TACT SWITCH	SKHV10910A	
	UR204	2001-000290	CARBON RESISTOR				USW20	3404-000165	TACT SWITCH	SKHV10910A	
	UR205	2001-000290	CARBON RESISTOR				USW25	3404-000165	TACT SWITCH	SKHV10910A	
	UR206	2001-000786	CARBON RESISTOR				USW26	3404-000165	TACT SWITCH	SKHV10910A	
	UR207	2001-000995	CARBON RESISTOR				USW27	3404-000165	TACT SWITCH	SKHV10910A	
	UR208	2001-000786	CARBON RESISTOR				USW28	3404-000165	TACT SWITCH	SKHV10910A	
	UR209	2001-000786	CARBON RESISTOR				USW29	3404-000165	TACT SWITCH	SKHV10910A	
	UR210	2001-000786	CARBON RESISTOR				USW30	3404-000165	TACT SWITCH	SKHV10910A	
	UR211	2001-000786	CARBON RESISTOR				USW31	3404-000165	TACT SWITCH	SKHV10910A	
	UR212	2001-000786	CARBON RESISTOR				USW32	3404-000165	TACT SWITCH	SKHV10910A	

■ Electrical parts list (Front board)

Block No. 02

△	Item	Parts number	Parts name	Remarks	Area
	UVR 1	3406-001071	ROTARY		
	UVR 2	3406-001047	ROTARY	RE012104P	
	UVR 3	3406-001047	ROTARY	RE012104P	
	UX 1	2802-000181	RESONATOR	6MHZ	
	UX 2	2801-001394	CRYSTAL		
	VFD	AH07-00040A	VFD		
	VR 4	2001-000062	CARBON RESISTOR		
	VR 5	2001-000062	CARBON RESISTOR		
	VR 6	2001-000062	CARBON RESISTOR		
	VR 13	2001-000062	CARBON RESISTOR		
	VR 14	2001-000062	CARBON RESISTOR		
	VR111	2001-000062	CARBON RESISTOR		
	VR113	2001-000062	CARBON RESISTOR		
	VR115	2001-000062	CARBON RESISTOR		
	VR196	2001-000062	CARBON RESISTOR		

■ Electrical parts list (Amp board)

Block No. 03

△	Item	Parts number	Parts name	Remarks	Area	△	Item	Parts number	Parts name	Remarks	Area
	AC 3	2301-000375	M CAPACITOR				AC7L	2401-000240	C CAPACITOR		
	AC 4	2301-000375	M CAPACITOR				AC7R	2401-000240	C CAPACITOR		
	AC 8	2201-000368	C CAPACITOR				AC8L	2401-000459	C CAPACITOR		
	AC 9	2401-000230	C CAPACITOR				AC8R	2401-000459	C CAPACITOR		
	AC 10	2401-000230	C CAPACITOR				AD 1	0402-000127	DIODE		
	AC 11	2201-000368	C CAPACITOR				AD 2	0402-000127	DIODE		
	AC 12	2401-002180	C CAPACITOR				AD 5	0402-000127	DIODE		
	AC 13	2401-001154	C CAPACITOR				AD 6	0401-000101	DIODE		
	AC 14	2201-000659	C CAPACITOR				AD 7	0401-000101	DIODE		
	AC 15	2201-000659	C CAPACITOR				AD 8	0401-000101	DIODE		
	AC 16	2401-001154	C CAPACITOR				AD 9	0401-000101	DIODE		
	AC 17	2401-002180	C CAPACITOR			△	AIC 1	1201-001544	IC		
	AC 20	2401-000230	C CAPACITOR			△	AIC 2	1201-001599	IC		
	AC 22	2301-000390	M CAPACITOR				AIC 3	1201-000163	IC		
	AC 23	2401-000240	C CAPACITOR				AIC 4	1201-000163	IC		
	AC 24	2301-000216	M CAPACITOR				AIC 5	1201-000163	IC		
	AC 25	2301-000419	M CAPACITOR				AIC 6	1201-000163	IC		
	AC 26	2401-000240	C CAPACITOR				AIC 7	1201-000163	IC		
	AC 27	2201-000783	C CAPACITOR				AL 1	AH27-90001A	SPRING COIL		
	AC 28	2201-000783	C CAPACITOR				AL 2	AH27-90001A	SPRING COIL		
	AC 29	2401-000240	C CAPACITOR				AL1L	AH27-90001A	SPRING COIL		
	AC 30	2401-001975	E CAPACITOR				AL1R	AH27-90001A	SPRING COIL		
	AC 31	2201-000146	C CAPACITOR				AQ 1	0501-000407	TRANSISTOR		
	AC 32	2401-000240	C CAPACITOR				AQ 2	0501-000407	TRANSISTOR		
	AC 33	2401-003621	C CAPACITOR				AQ 3	0501-000407	TRANSISTOR		
	AC 34	2401-001954	C CAPACITOR				AQ 6	0501-000010	TRANSISTOR		
	AC 35	2301-000474	C CAPACITOR				AQ 8	0501-000610	TRANSISTOR		
	AC 37	2401-001975	E CAPACITOR				AQ 11	0501-000398	TRANSISTOR		
	AC 38	2401-001975	E CAPACITOR				AQ 12	0501-000398	TRANSISTOR		
	AC 39	2401-001912	C CAPACITOR				AQ 13	0501-000398	TRANSISTOR		
	AC 40	2401-001954	C CAPACITOR				AQ 14	0501-000610	TRANSISTOR		
	AC 41	2401-000240	C CAPACITOR				AQ2L	0501-000407	TRANSISTOR		
	AC 42	2301-000216	M CAPACITOR				AQ2R	0501-000407	TRANSISTOR		
	AC 43	2401-000240	C CAPACITOR				AR 1	2003-000689	OMF RESISTOR		
	AC 44	2401-000240	C CAPACITOR				AR 2	2003-000689	OMF RESISTOR		
	AC 45	2301-000216	M CAPACITOR				AR 3	2001-000065	CARBON RESISTOR		
	AC 46	2301-000419	M CAPACITOR				AR 4	2001-000290	CARBON RESISTOR		
	AC 47	2201-000381	C CAPACITOR				AR 5	2003-000008	OMF RESISTOR		
	AC 48	2201-000381	C CAPACITOR				AR 6	2001-000290	CARBON RESISTOR		
	AC 49	2401-001975	E CAPACITOR				AR 7	2001-000258	CARBON RESISTOR		
	AC 50	2401-000240	C CAPACITOR				AR 8	2001-000864	CARBON RESISTOR		
	AC 51	2401-002180	C CAPACITOR				AR 9	2003-000390	OMF RESISTOR		
	AC 52	2401-000871	C CAPACITOR				AR 10	2003-000390	OMF RESISTOR		
	AC 56	2301-000375	M CAPACITOR				AR 11	2003-000390	OMF RESISTOR		
	ACW 1	3708-001094	CONNECTOR				AR 12	2003-000390	OMF RESISTOR		
	ACW 2	3711-003113	CONNECTOR				AR 13	2003-000008	OMF RESISTOR		
	ACW 3	3711-000820	CONNECTOR	5267-02A 2P ST			AR 14	2001-000864	CARBON RESISTOR		
	ACW 4	3711-000820	CONNECTOR	5267-02A 2P ST			AR 15	2001-000258	CARBON RESISTOR		
	AC1L	2201-000368	C CAPACITOR				AR 20	2001-000660	CARBON RESISTOR		
	AC1R	2201-000368	C CAPACITOR				AR 21	2001-000429	CARBON RESISTOR		
	AC10L	2301-000375	M CAPACITOR				AR 22	2001-000017	CARBON RESISTOR		
	AC2L	2401-000357	C CAPACITOR				AR 24	2001-000017	CARBON RESISTOR		
	AC2R	2401-000357	C CAPACITOR				AR 25	2001-000515	CARBON RESISTOR		
	AC3R	2401-002180	C CAPACITOR				AR 26	2001-000273	CARBON RESISTOR		
	AC301	2401-000385	C CAPACITOR				AR 30	2001-000786	CARBON RESISTOR		
	AC302	2401-000385	C CAPACITOR				AR 31	2001-000786	CARBON RESISTOR		
	AC303	2401-000385	C CAPACITOR				AR 32	2001-000273	CARBON RESISTOR		
	AC304	2401-000385	C CAPACITOR				AR 33	2001-000281	CARBON RESISTOR		
	AC4L	2401-001154	C CAPACITOR				AR 34	2001-000522	CARBON RESISTOR		
	AC4R	2401-001154	C CAPACITOR				AR 35	2001-000522	CARBON RESISTOR		
	AC5L	2201-000659	C CAPACITOR				AR 36	2001-000281	CARBON RESISTOR		
	AC5R	2201-000659	C CAPACITOR				AR 37	2001-000258	CARBON RESISTOR		
	AC6L	2401-002180	C CAPACITOR				AR 38	2001-000802	CARBON RESISTOR		

■ Electrical parts list (Amp board)

Block No. 03

△	Item	Parts number	Parts name	Remarks	Area
	AR 39	2001-000522	CARBON RESISTOR		
	AR 40	2001-000508	CARBON RESISTOR		
	AR 41	2001-000281	CARBON RESISTOR		
	AR 42	2001-000008	CARBON RESISTOR		
	AR 43	2001-000331	CARBON RESISTOR		
	AR 44	2001-000273	CARBON RESISTOR		
	AR 45	2001-000786	CARBON RESISTOR		
	AR 46	2001-000281	CARBON RESISTOR		
	AR 47	2001-000273	CARBON RESISTOR		
	AR 48	2001-000273	CARBON RESISTOR		
	AR 49	2001-000548	CARBON RESISTOR		
	AR 50	2001-000563	CARBON RESISTOR		
	AR 51	2001-000273	CARBON RESISTOR		
	AR 52	2001-000977	CARBON RESISTOR		
	AR 53	2001-000508	CARBON RESISTOR		
	AR 54	2001-000449	CARBON RESISTOR		
	AR 55	2001-000786	CARBON RESISTOR		
	AR 56	2001-000554	CARBON RESISTOR		
	AR 57	2001-000802	CARBON RESISTOR		
	AR 58	2001-000273	CARBON RESISTOR		
	AR 59	2001-000281	CARBON RESISTOR		
	AR 60	2001-000522	CARBON RESISTOR		
	AR 61	2001-000522	CARBON RESISTOR		
	AR 62	2001-000563	CARBON RESISTOR		
	AR 63	2001-000281	CARBON RESISTOR		
	AR 64	2001-000258	CARBON RESISTOR		
	AR 65	2001-000864	CARBON RESISTOR		
	AR 66	2001-000508	CARBON RESISTOR		
	AR 67	2001-000508	CARBON RESISTOR		
	AR 68	2001-000281	CARBON RESISTOR		
	AR 69	2001-000522	CARBON RESISTOR		
	AR 70	2001-000522	CARBON RESISTOR		
	AR 71	2001-000281	CARBON RESISTOR		
	AR 72	2001-000281	CARBON RESISTOR		
	AR 73	2001-001000	CARBON RESISTOR		
	AR 74	2001-000273	CARBON RESISTOR		
	AR 75	2001-000281	CARBON RESISTOR		
	AR 77	2001-000065	CARBON RESISTOR		
	AR 78	2003-000008	OMF RESISTOR		
	AR 79	2003-000008	OMF RESISTOR		
	AR 80	2001-000660	CARBON RESISTOR		
	AR 81	2001-000660	CARBON RESISTOR		
	AR 82	2001-000660	CARBON RESISTOR		
	AR 83	2001-000786	CARBON RESISTOR		
	AR 84	2001-000591	CARBON RESISTOR		
	AR 86	2001-000591	CARBON RESISTOR		
	AR 87	2001-000591	CARBON RESISTOR		
	AR 88	2001-000449	CARBON RESISTOR		
	AR 89	2001-000786	CARBON RESISTOR		
	ARL 1	3501-001197	RELAY	OSA-SS-212DM3	
	AR1L	2001-000290	CARBON RESISTOR		
	AR1R	2001-000290	CARBON RESISTOR		
	AR11L	2001-000522	CARBON RESISTOR		
	AR11R	2001-000522	CARBON RESISTOR		
	AR12L	2001-000281	CARBON RESISTOR		
	AR12R	2001-001000	CARBON RESISTOR		
	AR13L	2001-000864	CARBON RESISTOR		
	AR13R	2001-000281	CARBON RESISTOR		
	AR14L	2001-001000	CARBON RESISTOR		
	AR14R	2001-000864	CARBON RESISTOR		
	AR15L	2003-000689	OMF RESISTOR		
	AR15R	2003-000689	OMF RESISTOR		
	AR2L	2001-000258	CARBON RESISTOR		

△	Item	Parts number	Parts name	Remarks	Area
	AR2R	2001-000258	CARBON RESISTOR		
	AR3L	2001-000864	CARBON RESISTOR		
	AR3R	2001-000864	CARBON RESISTOR		
	AR300	2001-000429	CARBON RESISTOR		
	AR301	2001-000786	CARBON RESISTOR		
	AR302	2001-000786	CARBON RESISTOR		
	AR303	2001-000786	CARBON RESISTOR		
	AR310	2001-000786	CARBON RESISTOR		
	AR311	2001-000786	CARBON RESISTOR		
	AR312	2001-000786	CARBON RESISTOR		
	AR4L	2001-000864	CARBON RESISTOR		
	AR4R	2001-000864	CARBON RESISTOR		
	AR6L	2001-000017	CARBON RESISTOR		
	AR6R	2001-000017	CARBON RESISTOR		
	AR7L	2001-000429	CARBON RESISTOR		
	AR7R	2001-000429	CARBON RESISTOR		
	AR8R	2001-000591	CARBON RESISTOR		
	AR9L	2201-000381	C CAPACITOR		
	AR9R	2201-000381	C CAPACITOR		
	SPK	3716-001164	TERMINAL BLOCK		

■ Electrical parts list (DVD power board) Block No. 04

△	Item	Parts number	Parts name	Remarks	Area
	CLFU1	3602-000147	FUSE CLIP	QTY2	
	CLFU2	3602-000147	FUSE CLIP	QTY2	
	CLFU3	3602-000147	FUSE CLIP	QTY2	
	HEAT	1203-001586	IC		
△	LD 1	0402-001258	BRIDGE DIODE		
△	LD 2	0402-001077	BRIDGE DIODE		
△	LD 3	0402-001077	BRIDGE DIODE		
△	LFU 1	3601-001244	FUSE		
△	LFU 2	3601-001244	FUSE		
△	LFU 3	3601-001244	FUSE		
	LIC 6	1203-001006	IC	78R05	
	LIC 7	1203-001589	IC		
	LIC 9	1203-001697	IC		
	LIC10	1203-000294	IC	KA7808-AB	
	LPC 1	2201-000546	C CAPASITOR		
	LPC 2	2201-000546	C CAPASITOR		
	LPC 3	2201-000546	C CAPASITOR		
△	LPC 4	2401-001052	E CAPACITOR		
△	LPC 5	2401-001633	E CAPACITOR		
△	LPC 6	2401-001633	E CAPACITOR		
△	LPC27	2401-001883	E CAPACITOR		
△	LPC28	2401-001883	E CAPACITOR		
	LPR25	2003-000650	OMF RESISTOR		
	SD 1	0404-000156	DIODE		

■ Electrical parts list (DVD board)

Block No. 05

△	Item	Parts number	Parts name	Remarks	Area	△	Item	Parts number	Parts name	Remarks	Area
	AC 1	2203-005005	C.CAPACITOR				C 36	2203-005005	C.CAPACITOR		
	AC 2	2203-000140	C.CAPACITOR				C 37	2203-005005	C.CAPACITOR		
	AC 3	2401-001895	E.CAPACITOR				C 43	2401-001474	E.CAPACITOR		
	AC 4	2203-005005	C.CAPACITOR				C 46	2203-005005	C.CAPACITOR		
	AC 5	2203-005005	C.CAPACITOR				C 48	2401-001474	E.CAPACITOR		
	AC 6	2401-000907	E.CAPACITOR				C 50	2203-005005	C.CAPACITOR		
	AC 7	2401-000907	E.CAPACITOR				C 51	2203-005005	C.CAPACITOR		
	AC 8	2203-001656	C.CAPACITOR				C 54	2203-005005	C.CAPACITOR		
	AC 9	2203-000236	C.CAPACITOR				C 55	2203-005005	C.CAPACITOR		
	AC 10	2203-000236	C.CAPACITOR				C 57	2401-001893	E.CAPACITOR		
	AC 11	2401-001895	E.CAPACITOR				C 59	2203-005005	C.CAPACITOR		
	AC 12	2203-005005	C.CAPACITOR				C 61	2203-005005	C.CAPACITOR		
	AC 13	2401-001975	E.CAPACITOR				C 62	2203-005005	C.CAPACITOR		
	AC 14	2203-005005	C.CAPACITOR				C 64	2203-005005	C.CAPACITOR		
	AC 15	2203-000140	C.CAPACITOR				C 66	2203-005005	C.CAPACITOR		
	AC 17	2203-001656	C.CAPACITOR				C 67	2203-005005	C.CAPACITOR		
	AC 18	2203-000236	C.CAPACITOR				C 68	2401-001474	E.CAPACITOR		
	AC 19	2203-000236	C.CAPACITOR				C 69	2401-000795	E.CAPACITOR		
	AC 23	2401-001975	E.CAPACITOR				C 71	2203-005005	C.CAPACITOR		
	AC 25	2203-005005	C.CAPACITOR				C 75	2203-005005	C.CAPACITOR		
	AC 40	2401-001975	E.CAPACITOR				C 76	2203-005005	C.CAPACITOR		
	AC 67	2203-005005	C.CAPACITOR				C 77	2203-005005	C.CAPACITOR		
	AC 68	2203-000257	C.CAPACITOR				C 79	2203-005005	C.CAPACITOR		
	ACW 1	3711-000907	CONNECTOR				C 80	2203-005005	C.CAPACITOR		
	ACW 3	3708-001195	CONNECTOR				C 83	2203-005005	C.CAPACITOR		
	AD 2	0407-000116	DIODE				C 85	2401-001893	E.CAPACITOR		
	AD 4	0401-000101	DIODE				C 86	2203-005005	C.CAPACITOR		
	AD 5	0401-000101	DIODE				C 87	2203-005005	C.CAPACITOR		
	AIC 1	1201-000163	IC				C 88	2203-005005	C.CAPACITOR		
	AL 1	2703-000125	INDUCTOR				C 89	2203-005005	C.CAPACITOR		
	AL 7	3301-000353	BEAD	BLM21A121SP			C 90	2203-005005	C.CAPACITOR		
	AQ 1	0501-000341	TRANSISTOR				C 91	2203-005005	C.CAPACITOR		
	AQ 2	0501-000341	TRANSISTOR				C 96	2203-001086	C.CAPACITOR		
	AQ 13	0504-000152	TRANSISTOR				C 97	2203-001086	C.CAPACITOR		
	AQ 14	0504-000128	TRANSISTOR				C 98	2203-005005	C.CAPACITOR		
	AR 1	2007-000074	RESISTOR				C 99	2203-005005	C.CAPACITOR		
	AR 2	2007-000074	RESISTOR				C 100	2203-005005	C.CAPACITOR		
	AR 3	2007-000090	RESISTOR				C 101	2203-005005	C.CAPACITOR		
	AR 4	2007-000090	RESISTOR				C 110	2203-005005	C.CAPACITOR		
	AR 5	2007-000090	RESISTOR				C 111	2203-005005	C.CAPACITOR		
	AR 6	2007-000097	RESISTOR				C 112	2203-005005	C.CAPACITOR		
	AR 7	2007-000074	RESISTOR				C 113	2203-005005	C.CAPACITOR		
	AR 8	2007-000074	RESISTOR				C 114	2203-005005	C.CAPACITOR		
	AR 9	2007-000097	RESISTOR				C 115	2203-005005	C.CAPACITOR		
	AR 10	2007-000090	RESISTOR				C 116	2203-005005	C.CAPACITOR		
	AR 11	2007-000090	RESISTOR				C 117	2203-005005	C.CAPACITOR		
	AR 12	2007-000090	RESISTOR				C 118	2203-005005	C.CAPACITOR		
	AR 13	2007-000078	RESISTOR				C 119	2203-005005	C.CAPACITOR		
	AR 50	2007-000084	RESISTOR				C 120	2203-000257	C.CAPACITOR		
	AR 51	2007-000078	RESISTOR				CE 2	2401-001975	E.CAPACITOR		
	AR 52	2007-000078	RESISTOR				DC 1	2203-005005	C.CAPACITOR		
	AR 60	2007-000074	RESISTOR				DC 2	2203-005005	C.CAPACITOR		
	AR 61	2007-000074	RESISTOR				DC 3	2203-005005	C.CAPACITOR		
	ASR 1	2007-000070	RESISTOR				DC 4	2203-005005	C.CAPACITOR		
	ASR 3	2007-000074	RESISTOR				DC 5	2203-000257	C.CAPACITOR		
	ASR 5	2007-000070	RESISTOR				DCE 1	2401-001975	E.CAPACITOR		
	ASR 7	2007-000074	RESISTOR				DCE 2	2401-001975	E.CAPACITOR		
	C 1	2203-005005	C.CAPACITOR				DCW 1	3708-000307	CONNECTOR		
	C 28	2401-001474	E.CAPACITOR				DCW 2	AH39-00367A	LEAD CONNECTOR		
	C 29	2203-005005	C.CAPACITOR				DCW 4	3711-000907	CONNECTOR		
	C 30	2401-000795	E.CAPACITOR				DIC 1	1003-001305	IC	BA5983FM	
	C 31	2203-005005	C.CAPACITOR				DIC 2	1003-001418	IC		
	C 32	2203-005005	C.CAPACITOR				DIC 3	1003-001418	IC		

■ Electrical parts list (DVD board)

Block No. 05

△	Item	Parts number	Parts name	Remarks	Area	△	Item	Parts number	Parts name	Remarks	Area
	DIC 4	1002-001255	IC	WM8720EDS			L 56	3301-001495	BEAD		
	DR 1	2007-000074	RESISTOR				L 57	2007-000029	RESISTOR		
	DR 2	2007-000074	RESISTOR				LV 1	3301-000353	BEAD	BLM21A121SP	
	DR 3	2007-000074	RESISTOR				MC 1	2203-000257	C.CAPACITOR		
	DR 4	2007-000074	RESISTOR				MC 2	2203-005261	C.CAPACITOR		
	DR 5	2007-000074	RESISTOR				MC 4	2203-005005	C.CAPACITOR		
	DR 6	2007-000074	RESISTOR				MC 5	2203-005005	C.CAPACITOR		
	DR 7	2007-000074	RESISTOR				MC 6	2203-005005	C.CAPACITOR		
	DR 8	2007-000074	RESISTOR				MC 7	2203-005005	C.CAPACITOR		
	DR 9	2007-000074	RESISTOR				MC 8	2203-005005	C.CAPACITOR		
	DR 10	2007-000090	RESISTOR				MC 10	2203-005005	C.CAPACITOR		
	DR 11	2007-000094	RESISTOR				MCE 1	2401-000795	E.CAPACITOR		
	DR 12	2007-000090	RESISTOR				MCE 2	2401-001895	E.CAPACITOR		
	DR 13	2007-000070	RESISTOR				MCE 3	2401-001895	E.CAPACITOR		
	DR 15	2007-000078	RESISTOR				MCW 1	3711-000629	CONNECTOR		
	DR 16	2007-000078	RESISTOR				MIC 1	0903-001246	IC		
	DR 18	2007-000078	RESISTOR				MIC 2	1203-001369	IC	XC61CN1902MR	
	DR 19	2007-000078	RESISTOR				MIC 3	1203-001293	IC		
	DR 20	2007-000078	RESISTOR				MIC 4	1203-002390	IC		
	DR 21	2007-000078	RESISTOR				MQ 1	0504-000128	TRANSISTOR		
	DR 22	2007-000074	RESISTOR				MR 3	2007-000078	RESISTOR		
	DR 23	2007-000643	RESISTOR				MR 4	2007-000074	RESISTOR		
	DR 24	2007-000084	RESISTOR				MR 7	2007-000078	RESISTOR		
	DR 25	2007-000118	RESISTOR				MR 8	2007-000070	RESISTOR		
	DR 26	2007-000118	RESISTOR				MR 9	2007-000070	RESISTOR		
	DR 27	2007-000090	RESISTOR				MR 10	2007-000078	RESISTOR		
	DR 28	2007-000090	RESISTOR				MR 11	2007-000094	RESISTOR		
	DRC 1	2203-005005	C.CAPACITOR				MR 12	2007-000090	RESISTOR		
	DRR 1	2007-000094	RESISTOR				MR 13	2007-000109	RESISTOR		
	DRR 2	2007-000070	RESISTOR				MR 15	2007-000070	RESISTOR		
	DRR 3	2007-000075	RESISTOR				MR 16	2007-000070	RESISTOR		
	DRR 4	2007-000084	RESISTOR				MR 17	2007-000090	RESISTOR		
	DRR 5	2007-000084	RESISTOR				MR 18	2007-000090	RESISTOR		
	DRR 6	2007-000082	RESISTOR				MR 19	2007-000090	RESISTOR		
	DRR 7	2007-000090	RESISTOR				MR 20	2007-000090	RESISTOR		
	DRR 8	2007-000094	RESISTOR				MR 21	2007-000090	RESISTOR		
	DRR 9	2007-000090	RESISTOR				MR 22	2007-000090	RESISTOR		
	DRS 1	2203-005005	C.CAPACITOR				MR 23	2007-000090	RESISTOR		
	D3R1	2007-000118	RESISTOR				MR 24	2007-000090	RESISTOR		
	EMB 1	3301-000353	BEAD	BLM21A121SP			MR 25	2007-000090	RESISTOR		
	L 2	2703-000001	INDUCTOR				MR 26	2007-000090	RESISTOR		
	L 3	2703-000001	INDUCTOR				MR 27	2007-000090	RESISTOR		
	L 5	3301-001495	BEAD				MR 28	2007-000090	RESISTOR		
	L 6	3301-000353	BEAD	BLM21A121SP			MR 29	2007-000090	RESISTOR		
	L 7	3301-000353	BEAD	BLM21A121SP			MR 30	2007-000090	RESISTOR		
	L 8	3301-001495	BEAD				MR 31	2007-000090	RESISTOR		
	L 9	3301-000353	BEAD	BLM21A121SP			MR 32	2007-000090	RESISTOR		
	L 10	3301-000353	BEAD	BLM21A121SP			MR 33	2007-000090	RESISTOR		
	L 11	3301-000353	BEAD	BLM21A121SP			MR 34	2007-000090	RESISTOR		
	L 12	3301-000353	BEAD	BLM21A121SP			MR 35	2007-000090	RESISTOR		
	L 13	3301-000353	BEAD	BLM21A121SP			MR 36	2007-000090	RESISTOR		
	L 40	3301-000353	BEAD	BLM21A121SP			MR 37	2007-000090	RESISTOR		
	L 41	3301-000353	BEAD	BLM21A121SP			MR 38	2007-000090	RESISTOR		
	L 42	3301-000353	BEAD	BLM21A121SP			MR 39	2007-000090	RESISTOR		
	L 43	3301-000353	BEAD	BLM21A121SP			MR 40	2007-000090	RESISTOR		
	L 44	3301-000353	BEAD	BLM21A121SP			MR 41	2007-000090	RESISTOR		
	L 47	3301-000353	BEAD	BLM21A121SP			MR 43	2007-000074	RESISTOR		
	L 48	3301-000353	BEAD	BLM21A121SP			MR 44	2007-000074	RESISTOR		
	L 49	3301-000353	BEAD	BLM21A121SP			MR 45	2007-000074	RESISTOR		
	L 50	3301-001495	BEAD				MR 46	2007-000074	RESISTOR		
	L 52	3301-000353	BEAD	BLM21A121SP			MR 47	2007-000074	RESISTOR		
	L 53	3301-000353	BEAD	BLM21A121SP			MR 48	2007-000074	RESISTOR		
	L 54	3301-000353	BEAD	BLM21A121SP			MR 49	2007-000074	RESISTOR		

■ Electrical parts list (DVD board)

Block No. 05

△	Item	Parts number	Parts name	Remarks	Area	△	Item	Parts number	Parts name	Remarks	Area
	MR 50	2007-000074	RESISTOR				R 66	2007-000113	RESISTOR		
	MR 51	2007-000074	RESISTOR				R 68	2007-000113	RESISTOR		
	MR 52	2007-000074	RESISTOR				R 71	2007-000113	RESISTOR		
	MR 53	2007-000074	RESISTOR				R 73	2007-000113	RESISTOR		
	MR 54	2007-000074	RESISTOR				R 75	2007-000113	RESISTOR		
	MR 55	2007-000074	RESISTOR				R 78	2007-000113	RESISTOR		
	MR 56	2007-000074	RESISTOR				R 79	2007-000113	RESISTOR		
	MR 57	2007-000074	RESISTOR				R 80	2007-000113	RESISTOR		
	MR 58	2007-000074	RESISTOR				R 81	2007-000113	RESISTOR		
	MR 59	2007-000113	RESISTOR				R 82	2007-000113	RESISTOR		
	MR 60	2007-000113	RESISTOR				R 83	2007-000113	RESISTOR		
	MR 61	2007-000113	RESISTOR				R 84	2007-000113	RESISTOR		
	MR 62	2007-000113	RESISTOR				R 85	2007-000113	RESISTOR		
	MR 63	2007-000113	RESISTOR				R 86	2007-000113	RESISTOR		
	MR 64	2007-000072	RESISTOR				R 88	2007-000113	RESISTOR		
	MR 65	2007-000113	RESISTOR				R 90	2007-000113	RESISTOR		
	MR 66	2007-000072	RESISTOR				R 98	2007-000084	RESISTOR		
	MR 67	2007-000113	RESISTOR				R 99	2007-000078	RESISTOR		
	MR 68	2007-000072	RESISTOR				R V 5	2007-000070	RESISTOR		
	MR 69	2007-000113	RESISTOR				R 107	2007-000086	RESISTOR		
	MR 70	2007-000113	RESISTOR				R 108	2007-000084	RESISTOR		
	MR 71	2007-000113	RESISTOR				R 109	2007-000084	RESISTOR		
	MR 72	2007-000072	RESISTOR				R 110	2007-000084	RESISTOR		
	MR 75	2007-000084	RESISTOR				R 111	2007-000084	RESISTOR		
	MR 80	2007-000113	RESISTOR				R 112	2007-000084	RESISTOR		
	MR 81	2007-000113	RESISTOR				R 114	2007-000070	RESISTOR		
	MR 82	2007-000113	RESISTOR				R 115	2007-000094	RESISTOR		
	MR 83	2007-000113	RESISTOR				R 116	2007-000094	RESISTOR		
	MR 84	2007-000113	RESISTOR				RC 1	2203-005005	C.CAPACITOR		
	MR 85	2007-000113	RESISTOR				RC 2	2203-005005	C.CAPACITOR		
	MR 86	2007-000113	RESISTOR				RC 3	2203-005005	C.CAPACITOR		
	MR 87	2007-000113	RESISTOR				RC 4	2203-005005	C.CAPACITOR		
	MR 88	2007-000113	RESISTOR				RC 5	2203-005005	C.CAPACITOR		
	MR 89	2007-000113	RESISTOR				RC 6	2203-005005	C.CAPACITOR		
	MR 90	2007-000113	RESISTOR				RC 7	2203-001126	C.CAPACITOR		
	MR 91	2007-000113	RESISTOR				RC 8	2203-005005	C.CAPACITOR		
	PL 1	2007-000029	RESISTOR				RC 9	2203-001628	C.CAPACITOR		
	PL 3	2007-000029	RESISTOR				RC 10	2203-001628	C.CAPACITOR		
	PL 4	2007-000029	RESISTOR				RC 11	2203-001628	C.CAPACITOR		
	PL 5	2007-000029	RESISTOR				RC 12	2203-000972	C.CAPACITOR		
	PL 9	3301-000325	BEAD				RC 13	2203-001126	C.CAPACITOR		
	Q 3	0501-000314	TRANSISTOR				RC 14	2203-001126	C.CAPACITOR		
	Q 4	0501-000314	TRANSISTOR				RC 15	2203-001126	C.CAPACITOR		
	Q 8	0501-000314	TRANSISTOR				RC 16	2203-001126	C.CAPACITOR		
	R 2	2007-000094	RESISTOR				RC 17	2203-000236	C.CAPACITOR		
	R 6	2007-000113	RESISTOR				RC 18	2203-000440	C.CAPACITOR		
	R 8	2007-000113	RESISTOR				RC 19	2203-002494	C.CAPACITOR		
	R 9	2007-000070	RESISTOR				RC 20	2203-000236	C.CAPACITOR		
	R 10	2007-000070	RESISTOR				RC 21	2203-002494	C.CAPACITOR		
	R 30	2007-000078	RESISTOR				RC 22	2203-005005	C.CAPACITOR		
	R 31	2007-000084	RESISTOR				RC 23	2203-001103	C.CAPACITOR		
	R 32	2007-000084	RESISTOR				RC 24	2203-000440	C.CAPACITOR		
	R 34	2007-000070	RESISTOR				RC 25	2203-005005	C.CAPACITOR		
	R 53	2007-000084	RESISTOR				RC 26	2203-005005	C.CAPACITOR		
	R 55	2007-000122	RESISTOR				RC 27	2203-005005	C.CAPACITOR		
	R 56	2007-000084	RESISTOR				RC 28	2203-005005	C.CAPACITOR		
	R 57	2007-000113	RESISTOR				RC 29	2203-005005	C.CAPACITOR		
	R 58	2007-000113	RESISTOR				RC 30	2203-005005	C.CAPACITOR		
	R 59	2007-000113	RESISTOR				RC 31	2203-005005	C.CAPACITOR		
	R 60	2007-000116	RESISTOR				RC 32	2203-005005	C.CAPACITOR		
	R 61	2007-000071	RESISTOR				RC 33	2203-005005	C.CAPACITOR		
	R 63	2007-000113	RESISTOR				RC 34	2203-005005	C.CAPACITOR		
	R 64	2007-000113	RESISTOR				RC 35	2203-005005	C.CAPACITOR		

■ Electrical parts list (DVD board)

Block No. 05

▲	Item	Parts number	Parts name	Remarks	Area	▲	Item	Parts number	Parts name	Remarks	Area
	RC 36	2203-005005	C.CAPACITOR				SC 34	2203-001573	C.CAPACITOR		
	RC 37	2203-005005	C.CAPACITOR				SC 35	2203-001573	C.CAPACITOR		
	RCE 1	2401-001975	E.CAPACITOR				SCE 1	2401-001975	E.CAPACITOR		
	RCE 2	2401-001975	E.CAPACITOR				SCE 2	2401-001975	E.CAPACITOR		
	RCE 3	2401-001895	E.CAPACITOR				SCE 3	2401-001975	E.CAPACITOR		
	RCE 4	2401-001895	E.CAPACITOR				SCE 4	2401-001975	E.CAPACITOR		
	RCE 7	2401-001975	E.CAPACITOR				SD 1	0407-000114	DIODE		
	RCG 1	2203-005005	C.CAPACITOR				SIC 1	1105-001372	IC	MHB416256A-35J	
	RCG 2	2203-005005	C.CAPACITOR				SIC 2	1204-001871	IC		
	RCW 1	3708-001464	CONNECTOR				SL 2	3301-000353	BEAD	BLM21A121SP	
	RD 1	0407-000116	DIODE				SL 3	3301-000353	BEAD	BLM21A121SP	
	RIC 1	1201-001790	IC				SR 4	2007-000124	RESISTOR		
	RQ 1	0501-000632	TRANSISTOR				SR 5	2007-000084	RESISTOR		
	RQ 2	0501-000632	TRANSISTOR				SR 6	2007-000090	RESISTOR		
	RR 1	2007-001179	RESISTOR				SR 7	2007-000124	RESISTOR		
	RR 2	2007-000070	RESISTOR				SR 8	2007-000078	RESISTOR		
	RR 5	2007-000082	RESISTOR				SR 12	2007-000124	RESISTOR		
	RR 7	2007-000082	RESISTOR				SR 13	2007-000113	RESISTOR		
	RR 8	2007-000070	RESISTOR				SR 14	2007-000113	RESISTOR		
	RR 9	2007-000090	RESISTOR				SR 15	2007-000113	RESISTOR		
	RR 10	2007-000090	RESISTOR				SR 16	2007-000113	RESISTOR		
	RR 11	2007-000109	RESISTOR				SR 17	2007-000113	RESISTOR		
	RR 12	2007-000309	RESISTOR				SR 18	2007-000102	RESISTOR		
	RR 13	2007-000078	RESISTOR				SR 19	2007-000102	RESISTOR		
	RR 14	2007-000102	RESISTOR				SR 20	2007-000097	RESISTOR		
	RR 15	2007-000070	RESISTOR				SR 21	2007-000084	RESISTOR		
	RR 16	2007-000309	RESISTOR				SR 22	2007-000094	RESISTOR		
	RR 17	2007-000078	RESISTOR				SR 23	2007-000113	RESISTOR		
	RR 18	2007-002425	RESISTOR				SR 24	2007-000074	RESISTOR		
	RR 19	2007-000077	RESISTOR				SR 25	2007-000090	RESISTOR		
	RR 20	2007-000075	RESISTOR				SR 26	2007-000082	RESISTOR		
	RR 21	2007-002425	RESISTOR				SR 27	2007-000082	RESISTOR		
	RR 22	2007-002425	RESISTOR				SR 28	2007-000090	RESISTOR		
	RR 23	2007-002425	RESISTOR				SR 29	2007-000113	RESISTOR		
	SC 2	2203-005005	C.CAPACITOR				SR 30	2007-000097	RESISTOR		
	SC 4	2203-000972	C.CAPACITOR				SR 31	2007-000070	RESISTOR		
	SC 5	2203-005005	C.CAPACITOR				SR 32	2007-000082	RESISTOR		
	SC 6	2203-005005	C.CAPACITOR				SR 33	2007-000084	RESISTOR		
	SC 7	2203-005005	C.CAPACITOR				SR 34	2007-000113	RESISTOR		
	SC 8	2203-005005	C.CAPACITOR				SR 35	2007-000113	RESISTOR		
	SC 9	2203-001573	C.CAPACITOR				SR 36	2007-000113	RESISTOR		
	SC 10	2203-005005	C.CAPACITOR				SR 37	2007-000113	RESISTOR		
	SC 11	2203-005005	C.CAPACITOR				SR 38	2007-000075	RESISTOR		
	SC 12	2203-000998	C.CAPACITOR				SR 39	2007-000109	RESISTOR		
	SC 13	2203-000998	C.CAPACITOR				SX 1	2801-000261	CRYSTAL		
	SC 14	2203-005005	C.CAPACITOR				TL 1	3301-000353	BEAD	BLM21A121SP	
	SC 15	2203-005005	C.CAPACITOR				TL 2	3301-000353	BEAD	BLM21A121SP	
	SC 16	2203-005005	C.CAPACITOR				U 5	1105-001376	IC	W986432DH-7	
	SC 17	2203-002494	C.CAPACITOR				U 6	1107-001318	IC	SST39VF800A-70	
	SC 18	2203-000972	C.CAPACITOR				U 8	1204-001863	IC		
	SC 19	2203-001656	C.CAPACITOR				U 9	1203-002336	IC		
	SC 20	2203-001656	C.CAPACITOR				U 10	0802-001109	IC	74LVT573	
	SC 21	2203-001103	C.CAPACITOR				U 11	0802-001109	IC	74LVT573	
	SC 23	2203-000440	C.CAPACITOR				U 12	0802-001109	IC	74LVT573	
	SC 24	2203-000440	C.CAPACITOR				U 15	0801-002683	IC	74HCT245	
	SC 25	2203-000440	C.CAPACITOR				VC 1	2401-001092	E.CAPACITOR		
	SC 26	2203-001573	C.CAPACITOR				VCG 1	2203-005005	C.CAPACITOR		
	SC 27	2203-001573	C.CAPACITOR				VCW 1	3711-001018	CONNECTOR		
	SC 28	2203-001573	C.CAPACITOR				VR 1	2007-000402	RESISTOR		
	SC 29	2203-001573	C.CAPACITOR				VR 2	2007-000115	RESISTOR		
	SC 30	2203-001573	C.CAPACITOR				VR 3	2007-000070	RESISTOR		
	SC 31	2203-001573	C.CAPACITOR				VR 4	2007-001167	RESISTOR		
	SC 32	2203-000998	C.CAPACITOR				VR 5	2007-000402	RESISTOR		

■ Electrical parts list (DVD board)

Block No. 05

△	Item	Parts number	Parts name	Remarks	Area
	VR 6	2007-000070	RESISTOR		
	VR 15	2007-000115	RESISTOR		
	VR 16	2007-000402	RESISTOR		
	VR 17	2007-000115	RESISTOR		
	X 1	2801-003971	CRYSTAL		
	ZD 1	0403-000357	ZENER DIODE		
	ZD 2	0403-000352	ZENER DIODE		
	ZD 3	0403-000355	ZENER DIODE		

< MEMO >

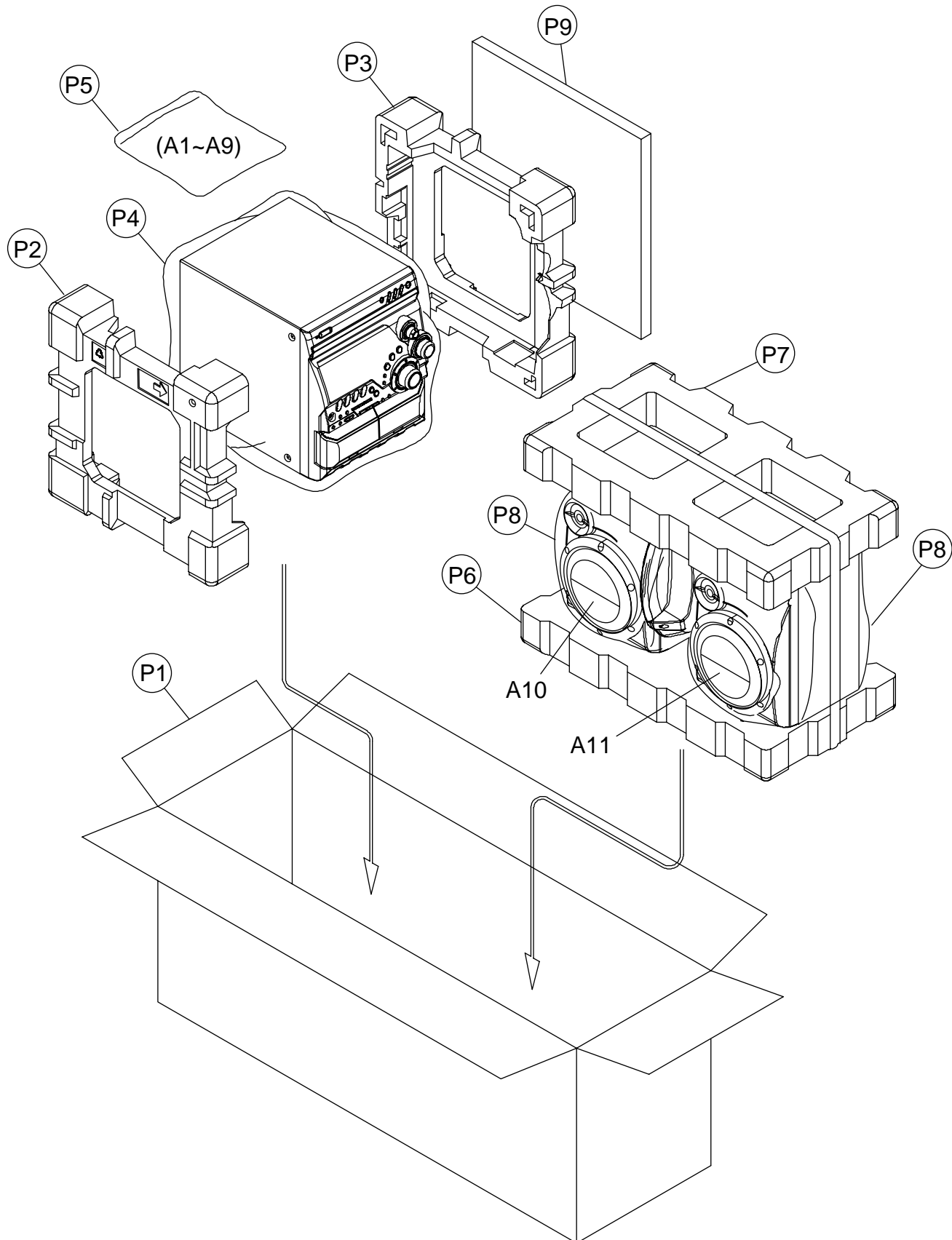
Packing materials and accessories parts list

Block No.

M	3	M	M
---	---	---	---

Block No.

M	5	M	M
---	---	---	---



Parts list (Packing)

Block No. M3MM

△	Item	Parts number	Parts name	Q'ty	Description	Area
	P 1	AH69-00352N	MASTER-CARTON	1		J
		AH69-00352P	MASTER-CARTON	1		C
	P 2	AH69-00343A	CUSHION-L	1	FOR SET C	
	P 3	AH69-00344A	CUSHION-R	1	FOR SET	
	P 4	AH69-30012T	POLY BAG	1		
	P 5	18654-101-071	POLY BAG	1	FOR ACCESSORIES	
	P 6	AH81-00374S	CUSHION-BOTTOM	1	FOR SPEAKER	
	P 7	AH81-00374R	CUSHION-TOP	1	FOR SPEAKER	
	P 8	AH81-00373P	POLY BAG	2	FOR SPEAKER	
	P 9	AH69-00406A	PAD-CUSHION	1		

Parts list (Accessories)

Block No. M5MM

△	Item	Parts number	Parts name	Q'ty	Description	Area
	A 1	AH68-00748C	INSTRUCTINS	1	ENG FRE	C
		AH68-00748A	INSTRUCTINS	1	ENG	J
	A 2	AH59-00098A	REMOCON	1	RM-SMXDVA5A	
	A 3	AH38-10001A	FM-WIRE	1		
	A 4	AH42-20001P	ANT LOOP	1		
	A 5	-----	BATTERY	2	BATTERY	
	A 6	AH39-40001T	RCA-CABLE	1		
	A 7	AH68-00415A	WARANTY CARD	1		C
	A 8	AH68-00416A	SAFETY-CARD	1		J
	A 9	AH68-00415J	IMPORTANT CARD	1		J
		AH68-00416B	IMPORTANT CARD	1		C
	A 10	MXDVA5K-SPBOX-L	SPEAKER BOX	1		
	A 11	MXDVA5K-SPBOX-R	SPEAKER BOX	1		